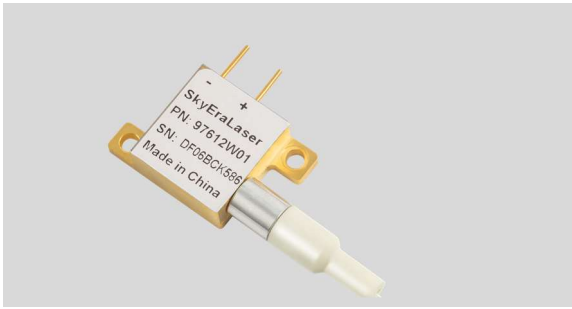


9W 976nm Uncooled Multimode Wavelength Stabilized Laser Diode Module

TY-976+/-01NM-09.0W-25C-2PIN-105-0.22NA-VBG



SkyEra delivers TY-976+/-01NM-09.0W-25C-2PIN-105-0.22NA-VBG diode lasers employing professional coupling technology, that enjoy multiple advantages, e.g., compact design, stable output power, high power, high efficiency and convenient packaging. These laser diode modules can provide solutions for fiber laser applications and direct suppliers.

The performance and aging tests have been performed upon the production line to guarantee reliable, stable and long lifetime of products. To provide customers with high-quality, high-cost performance products is the company's goal.

Specification:

Functional parameters are tested on condition that the heat sink temperature is 25 degree, contact resistance of the component and the heat sink is smaller than 1CM² K/W.

Key Parameters:

- Based on single fire spot laser module
- High output power 9W
- High stability
- 0.22NA 105µm core multimode fiber
- Parallel weld 2-Pin sealed package
- Standard central wavelength 976nm
- Narrow linewidth
- RoHS compliance

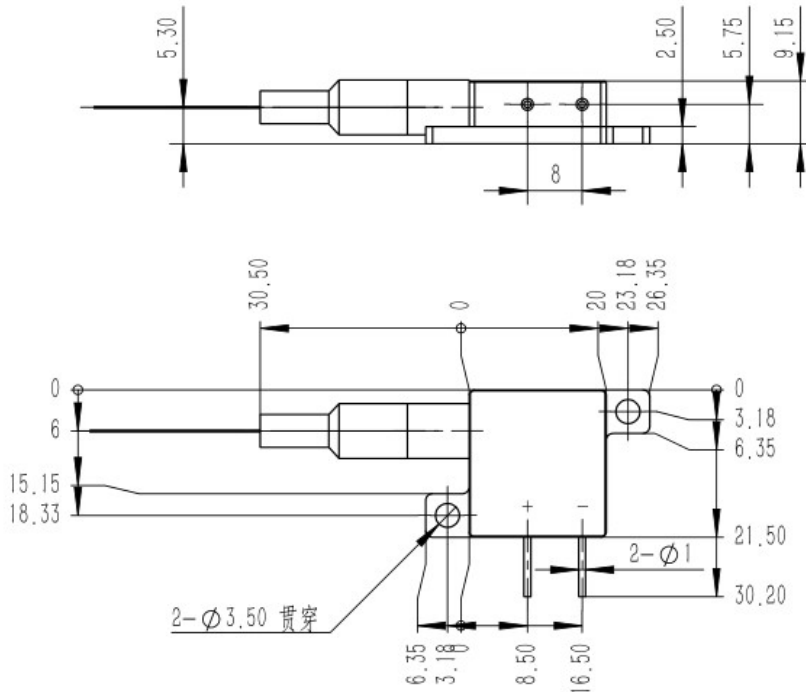
Application:

- Medical
- Printing
- Fiber laser pump source
- Material processing

Parameter	Min	Typ	Max	Unit	Conditions
Output Power	9	-	-	W	
Centre Wavelength	975	976	977	nm	HR@ 1050-1150>25dB HR@ 1060-1100>30dB
Spectral Width(FWHM)	--	0.8	2.0	nm	0.5nm DPI
Threshold Current	-	0.7	1.0	A	
Operating Current	-	11.5	12.0	A	
Operating Voltage	-	1.75	2.0	V	
Convention Efficiency	-	45	-	%	
95% Power	-	0.16	-	NA	
Wavelength shift vs. Temperature	-	0.02	-	nm/°C	
Slop Efficiency	-	0.85	-	W/A	
Storage Temperature	-30	25	70	°C	Non-Condensing
Operating Temperature	15	25	45	°C	
Fiber Bend Radius	37.5	-	-	mm	
Buffer Diameter	-	250	-	µm	
Cladding Diameter	-	125	-	µm	
Core Diameter	102	105	108	µm	
Numeric Aperture	-	0.22	-	-	
Fiber length	0.9	-	-	M	
Protection Tube	-	-	-	-	
Fiber Connector	-	CO	-	-	

2. Dimension Diagram

Unit:MM



3. Instructions

- Avoid eyes or skin exposure to direct or scattered radiation;
- ESD protection is required for transportation, storage and operation; short-circuit protection between pins is required for transportation and storage.
- Please connect pins by solder when operating current is over 6A; solder point should be close to the root of pins with a max soldering temperature at 260°C and a duration less than 10 seconds ;
- Drive constant current power supply by laser and avoid surge while working;
- Operate under rated current and rated power;
- Good heat dissipation is required;
- Operating temperature is 15 °C~45°C;
- Storage temperature is -30°C~+70°C.

